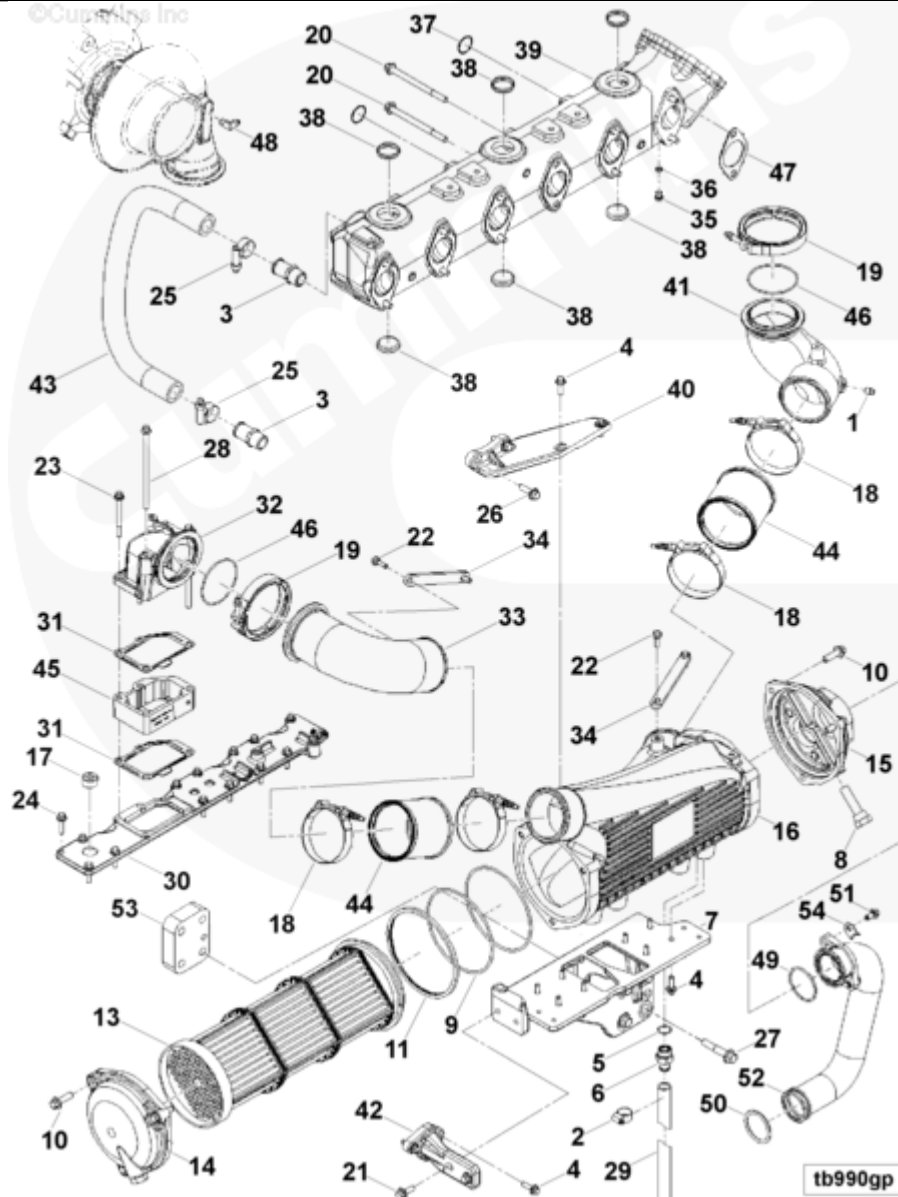




## Parts Catalog - Option Detail

Electronic Parts Catalog - Option Detail				
Option	Group	Graphic	Film Card	Date
TB91378-05	10.06.1	tb990gp	Z	17-OCT-13
Engines	6C8.3, C GAS PLUS CM556, G8.3, G8.3 CM558, GTA8.3 CM558, ISC CM2150, ISC CM554, ISC CM850, ISC8.3 CM2250, ISC8.3 G CM2180 C101, ISL CM2150, ISL CM554, ISL CM850, ISL G CM2180, ISL8.9 CM2150 L110, ISL8.9 CM2880 L112, ISL9 CM2150 SN, ISL9 CM2250, ISL9 CM2350 L101, ISL9 CM2350 L111, ISLE4 CM850, L GAS PLUS CM556, L8.9, L8.9 L121, L8.9G CMOH2.0 L125B, L9 CM2350 L116B, L9 CM2350 L119B, L9 CM2350 L120C, L9 CM2350 L123B, L9.3 L105, L9.5 L117, L9N CM2380 L124B, QSC8.3 CM2250, QSC8.3 CM2880 C102, QSC8.3 CM554, QSC8.3 CM850(CM2850), QSL9 CM2250, QSL9 CM2250 L115, QSL9 CM2350 L102, QSL9 CM2350 L107, QSL9 CM2350 L118, QSL9 CM2350 L122, QSL9 CM554, QSL9 CM850(CM2850), QSL9 G CM558, QSL9 M CM2250 L106, QSL9.3 CM2880 L113			



[SMALL](#) | [MEDIUM](#) | [LARGE](#)

Cart	Ref No	Part Number	Part Description	Required	Remarks
<a href="#">View My Cart</a>					
		<a href="#">TB91378-05</a>	Turbocharger Arrangement		<a href="#">Turbocharger Arrangement...(More)</a>
					Engine Aspiration:
					Sea Water Aftercooled.
					Exhaust Outlet Location: RMSO
					Exhaust Outlet Flange Type:
					4 Bolt
					Exhaust Outlet Diameter (mm):
					89
					Compressor Outlet Flange
					Type: Half Marmon
					Compressor Outlet Diameter
					(mm): 76.2
					Manifold Type: Wet
					Base ID 17 Number: 4041656
					Unique Characteristics: For
					Use With SAE #3 Flywheel
					Housing
<input type="checkbox"/>	1	<a href="#">S 949 B</a>	Pipe Plug	1	1/8 NPT.
<input type="checkbox"/>	2	<a href="#">210753</a>	Hose Clamp	1	9/16 - 1 1/4 in.
<input type="checkbox"/>	3	<a href="#">215921</a>	Plain Hose Coupling	2	3/4 NPTF X 1 in.
<input type="checkbox"/>	4	<a href="#">3093730</a>	Hexagon Flange Head Cap Screw	6	M8 X 1.25 X 25.
		<a href="#">2874995</a>	Aftercooler	1	
<input type="checkbox"/>	4	<a href="#">3093730</a>	Hexagon Flange Head Cap Screw	8	M8 X 1.25 X 25.
<input type="checkbox"/>		<a href="#">3970799</a>	Check Valve	1	
<input type="checkbox"/>	5	<a href="#">3975684</a>	O-Ring Seal	1	
	6	<a href="#">4933267</a>	Check Valve	1	
<input type="checkbox"/>	7	<a href="#">4937686</a>	Aftercooler Support	1	
<input type="checkbox"/>		<a href="#">5301727</a>	Aftercooler	1	

<input type="checkbox"/>	8	68241	Zinc Electrode Plug	2	
	9	3971678	O-Ring Seal	4	
<input type="checkbox"/>	10	4058183	Hexagon Flange Head Cap Screw	6	M10 X 1.50 X 35.
<input type="checkbox"/>	11	5297255	Aftercooler Core Seal	1	
<input type="checkbox"/>	12	5309051	Pin Dowel	1	
	13	5309052	Aftercooler Core	1	
<input type="checkbox"/>	14	5309053	Water Transfer Connection	1	
<input type="checkbox"/>	15	5310980	Water Transfer Connection	1	
	16	5310981	Aftercooler Housing	1	
<input type="checkbox"/>	17	4933532	Pipe Plug	1	3/4 NPT.
<input type="checkbox"/>	18	3063809	T-Bolt Clamp	4	3 3/4 in.
<input type="checkbox"/>	19	3067979	V Band Clamp	2	
<input type="checkbox"/>	20	3082439	Hexagon Flange Head Cap Screw	12	M10 X 1.50 X 130.
<input type="checkbox"/>	21	3093932	Hexagon Flange Head Cap Screw	2	M10 X 1.50 X 25.
<input type="checkbox"/>	22	3900227	Hexagon Head Cap Screw	4	M8 X 1.25 X 22.
<input type="checkbox"/>	23	3902112	Hexagon Flange Head Cap Screw	2	M8 X 1.25 X 80.
<input type="checkbox"/>	24	3902114	Hexagon Flange Head Cap Screw	14	M8 X 1.25 X 30.
<input type="checkbox"/>	25	3922843	Hose Clamp	2	
<input type="checkbox"/>	26	3925344	Hexagon Flange Head Cap Screw	2	M10 X 1.50 X 30.
<input type="checkbox"/>	27	3937692	Hexagon Flange Head Cap Screw	4	M12 X 1.75 X 60.
<input type="checkbox"/>	28	3943682	Hexagon Flange Head Cap Screw	2	M8 X 1.25 X 160.
<input type="checkbox"/>	29	3944714	Plain Hose	1	
<input type="checkbox"/>	30	3967069	Intake Manifold Cover	1	
<input type="checkbox"/>	31	3967891	Connection Gasket	2	
<input type="checkbox"/>	32	3968371	Air Intake Connection	1	
<input type="checkbox"/>	33	3970795	Air Transfer Connection	1	
<input type="checkbox"/>	34	3970817	Retaining Brace Bracket	2	
<input type="checkbox"/>		3971505	Exhaust Manifold	1	
<input type="checkbox"/>		3678923	Threaded Plug	1	M10 X 1.00 X 13.5.

<input type="checkbox"/>	35	<a href="#">3678924</a>	Threaded Plug	1	M10 X 1.00 X 13.5.
<input type="checkbox"/>	36	<a href="#">3678925</a>	O-Ring Seal	1	M10.
		<a href="#">3971430</a>	Exhaust Manifold	1	
<input type="checkbox"/>	37	<a href="#">3007636</a>	Expansion Plug	2	
<input type="checkbox"/>	38	<a href="#">3908092</a>	Expansion Plug	6	
	39	<a href="#">3971431</a>	Exhaust Manifold	1	
<input type="checkbox"/>	40	<a href="#">3972053</a>	Aftercooler Support	1	
<input type="checkbox"/>	41	<a href="#">3978967</a>	Air Transfer Connection	1	
<input type="checkbox"/>	42	<a href="#">4935619</a>	Aftercooler Support	1	
<input type="checkbox"/>	43	<a href="#">4938263</a>	Plain Hose	1	
<input type="checkbox"/>	44	<a href="#">4939500</a>	Plain Hose	2	
<input type="checkbox"/>	45	<a href="#">4940174</a>	Mounting Spacer	1	
<input type="checkbox"/>	46	<a href="#">4992509</a>	O-Ring Seal	2	
<input type="checkbox"/>	47	<a href="#">5269779</a>	Exhaust Manifold Gasket	6	For ISL G Engines Use P/N 5316185.
<input type="checkbox"/>	48	<a href="#">68139</a>	Male Adapter Elbow	1	
<input type="checkbox"/>	49	<a href="#">145582</a>	O-Ring Seal	1	
<input type="checkbox"/>	50	<a href="#">3028291</a>	O-Ring Seal	1	
<input type="checkbox"/>	51	<a href="#">3925883</a>	Hexagon Flange Head Cap Screw	2	M8 X 1.25 X 16.
<input type="checkbox"/>	52	<a href="#">3978101</a>	Sea Water Pump Tube	1	
<input type="checkbox"/>	53	<a href="#">4937665</a>	Mounting Spacer	1	
<input type="checkbox"/>	54	<a href="#">4003347</a>	Tube Clamp	2	
<input type="checkbox"/>		<a href="#">5312664</a>	Aftercooler O-Ring Kit	1	
<input type="checkbox"/>		<a href="#">5312665</a>	Aftercooler Core Kit	1	
<input type="checkbox"/>		<a href="#">5312666</a>	Aftercooler Seal Kit	1	